

Coffee System Coffee Grinder with Hopper, 0,7 kg, black

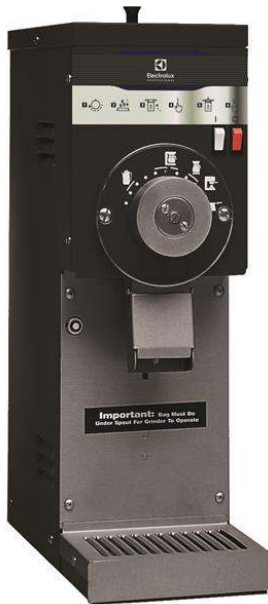
ITEM # _____

MODEL # _____

NAME # _____

SIS # _____

AIA # _____



600657 (E835B)

Single Portion Grinder with
one 0,7 kg hopper (grind
types: Turkish, Espresso,
Fine, Auto Drip, Drip,
Percolator, Coarse)

Short Form Specification

Item No. _____

Coffee grinder with hopper, black color. Fast grind time,
suitable for various types of coffee. Compact dimensions
for table top configuration.

Powerful motor with circuit breaker and manual on/off
switch.

Main Features

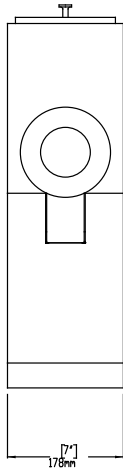
- Easy-to-Follow instructions.
- Fast grind time.
- Steep slope hopper promotes a bean flow without blocking.
- Ideal for all self-service applications, including grocery stores and specialty shops.
- How to Operate:
 - 1. Turn the selector knob to the desired grind setting.
 - 2. Fill the hopper with the desired type and amount of whole bean coffee. Close the lid.
 - 3. Place the bag underneath the spout.
 - 4. Press the start button.
 - 5. Press the stop button after the grinder has completed grinding.
 - 6. Remove bag from coffee spout once coffee is ground.

Construction

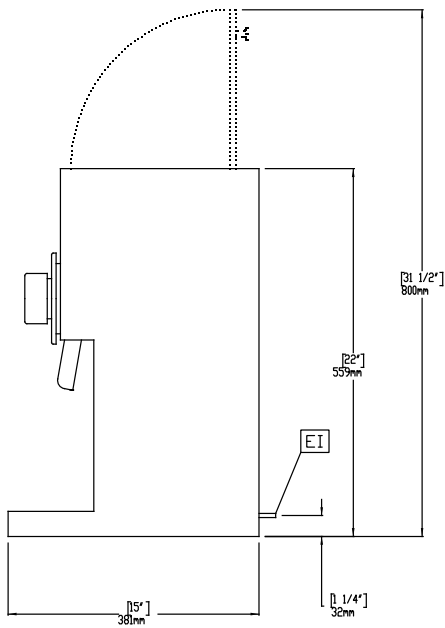
- Powerful motor with circuit breaker.
- Separate start/stop push buttons.
- Precision burrs.
- Stainless steel tidy tray with pull out drawer.
- Stainless steel front panel.

APPROVAL: _____

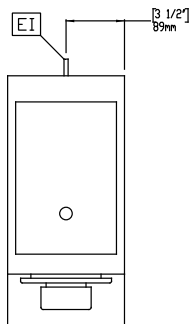
Front



Side



Top



Electric

Supply voltage:	220-240 V/1N ph/50/60 Hz
Electrical power max.:	1.8 kW

Key Information:

External dimensions, Width:	178 mm
External dimensions, Depth:	381 mm
External dimensions, Height:	559 mm
Net weight:	18 kg
Shipping weight:	24 kg
Shipping height:	700 mm
Shipping width:	320 mm
Shipping depth:	470 mm
Shipping volume:	0.11 m ³